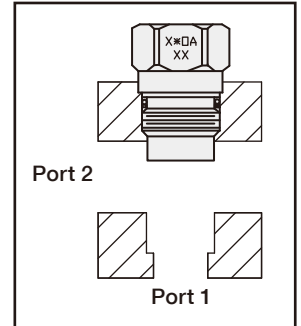
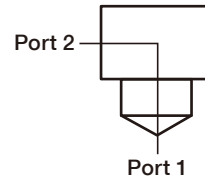


# OA2

## SYMBOLS

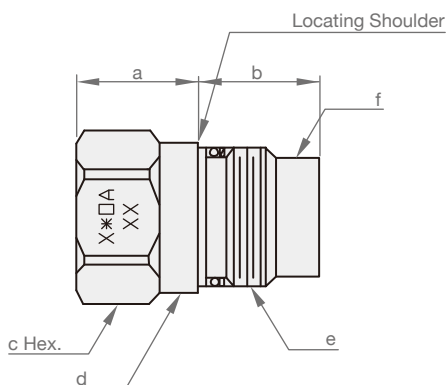


## MODEL SPEC.

Model	Cavity	Thread	Material of Seal	Weight (kg)
X10A2-T162A-XX	T162A	M16 P15	buna-N	0.05
X20A2-T10A-XX	T10A	M20 P1.5		0.09
X20A2-T13A-XX	T13A	M20 P1.5		0.09
X30A2-T3A-XX	T3A	1"-14UNS-2B		0.13
X30A2-T5A-XX	T5A	1"-14UNS-2B		0.13
X60A2-T16A-XX	T16A	M36 P2		0.28
X80A2-T18A-XX	T18A	M48 P2		0.57

## DIMENSION

( UNIT : mm )



Model	a	b	c	d	e	f
X20A2	20.3	16.3	22.2	Ø21.7	M16 P1.5-6H	Ø17.4
X30A2	17.8	22.2	28.6	Ø27.3	1"-14UNS-2B	Ø22.6
X60A2	26	25	31.7	Ø39.7	M36 P2.0-6H	Ø33
X80A2	30.4	26.8	41.2	Ø52.5	M48 P2.0-6H	Ø43