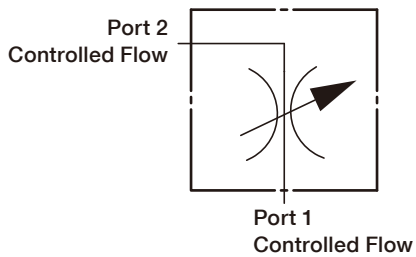


NFD



SYMBOLS



ORDER CODES

NF 2 D - T13A - L F N

1 2 3 4 5 6 7

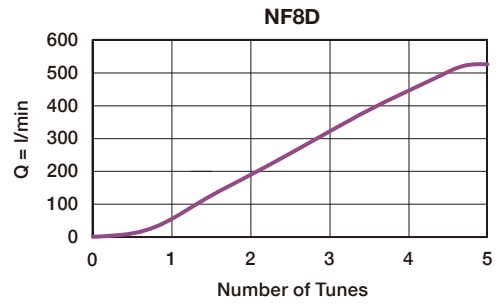
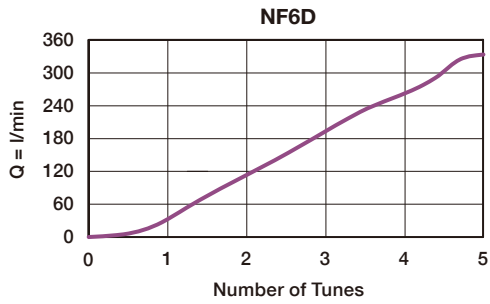
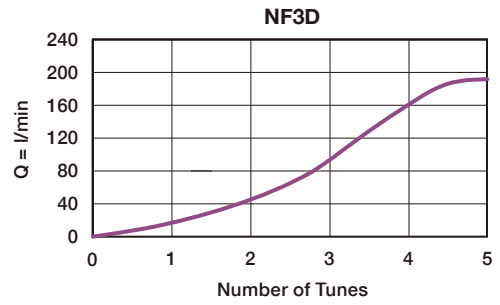
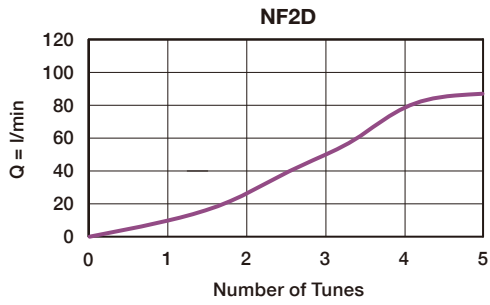
1	▶ Model Name	NF
2	▶ Valve Size	2, 3, 6, 8
3	▶ Operation	D high capacity
4	▶ Cavity	T13A, T5A, T16A, T18A
5	▶ Control Manner	L standard screw adjustment K hand knob with lock knob
6	▶ Max. Orifice	F T13A : 8.4mm G T5A : 12.7mm H T16A : 17.5mm I T18A : 21.6mm
7	▶ Material of Seal	N buna-N V viton

MODEL SPEC.

Model	Cavity	Capacity (l/min)	Max. Pressure (bar)	Installation Torque (Nm)	Operational Temperature	Weight (kg)
NF2D	T13A	80	350	40/50	-35 ~ 100°C (-31 ~ 212°F)	0.15
NF3D	T5A	160	350	60/70		0.28
NF6D	T16A	320	350	200/215		0.57
NF8D	T18A	500	350	465/500		1.24

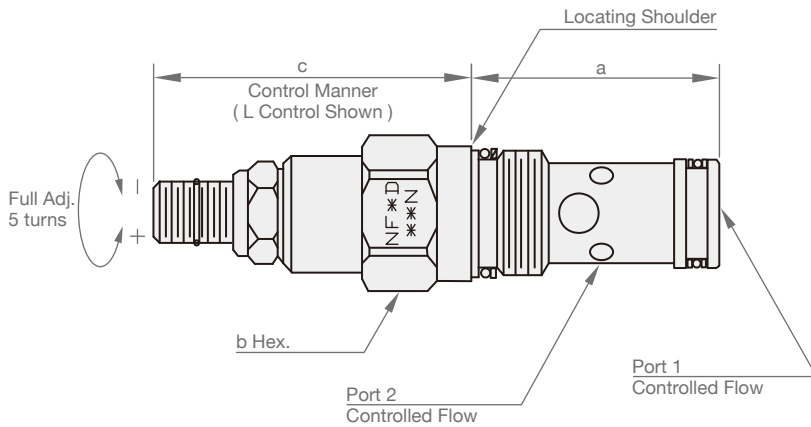
PERFORMANCE CURVES

► Adjustment Sensitivity at 7 bar Differential



DIMENSION

(UNIT : mm)



Model	a	b	c	
			L	K
NF2D	34.9	22.2	58	64
NF3D	41.1	28.6	67	73
NF6D	61.9	31.8	73	79
NF8D	79.4	41.3	84	90