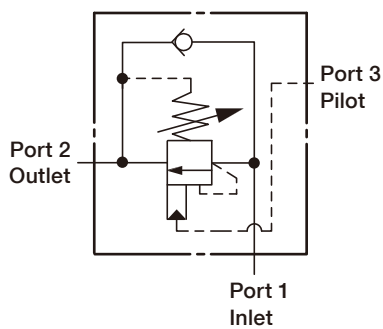


CBC



SYMBOLS



ORDER CODES

CB 2 C - T11A - L I N

1 2 3 4 5 6 7

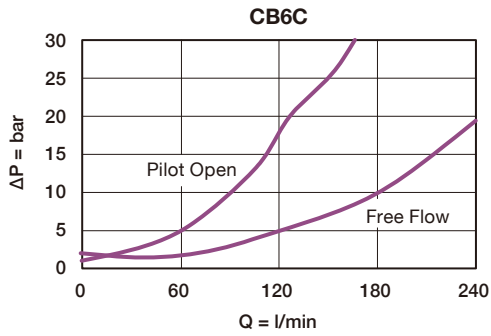
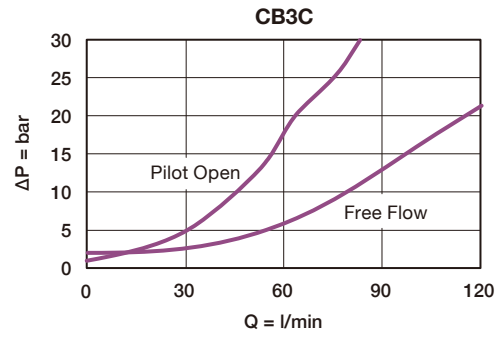
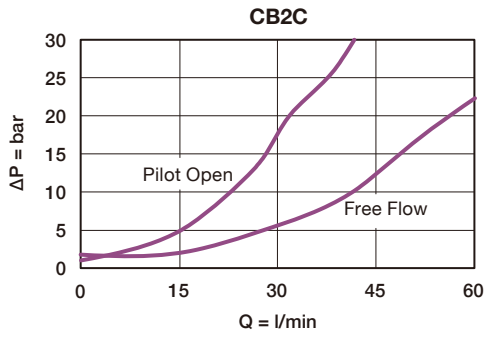
1	Model Name	CB	
2	Valve Size	2, 3, 6	
3	Pilot Ratio	C	3:1
4	Cavity	T11A, T2A, T17A	
5	Control Manner	L	standard screw adjustment
6	Adjustable Range	H	70 ~ 280 bar, w/1.7 bar check, 210 bar initially setting
		I	25 ~ 105 bar, w/1.7 bar check, 70 bar initially setting
		A	70 ~ 280 bar, w/0.3 bar check, 210 bar initially setting
		B	25 ~ 105 bar, w/0.3 bar check, 70 bar initially setting
7	Material of Seal	N	buna-N
		V	viton

MODEL SPEC.

Model	Cavity	Capacity (l/min)	Max. Pressure (bar)	Installation Torque (Nm)	Operational Temperature	Weight (kg)
CB2C	T11A	40	350	40/50	-35 ~ 100°C (-31 ~ 212°F)	0.17
CB3C	T2A	80	350	60/70		0.30
CB6C	T17A	160	350	200/215		0.64

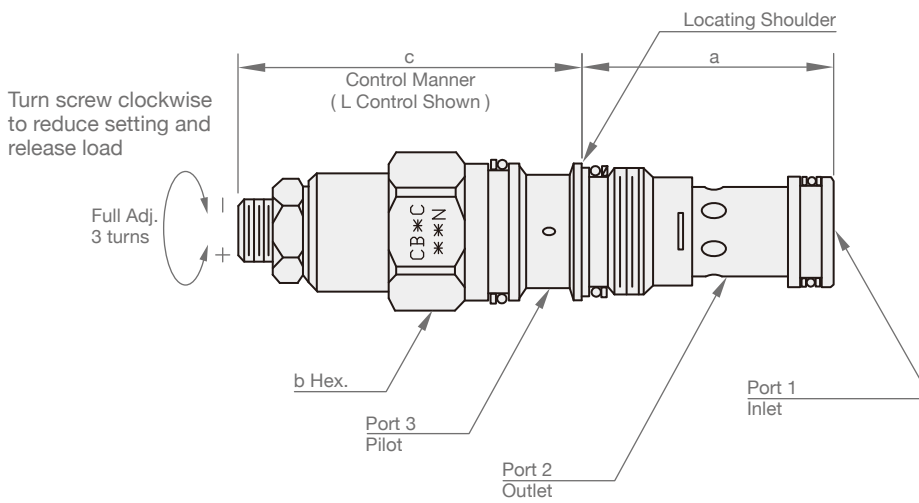
PERFORMANCE CURVES

Free Flow and Piloted Open Pressure Drop



DIMENSION

(UNIT : mm)



Model	a	b	c
			L
CB2C	34.9	22.2	50
CB3C	34.9	28.6	61
CB6C	46.0	31.8	70