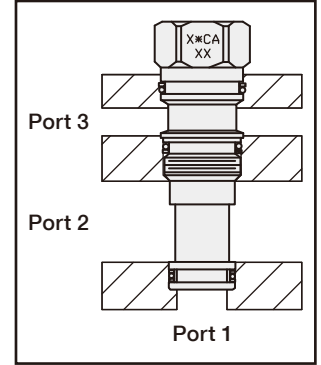
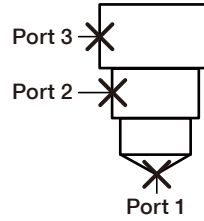


# CA3

## SYMBOLS

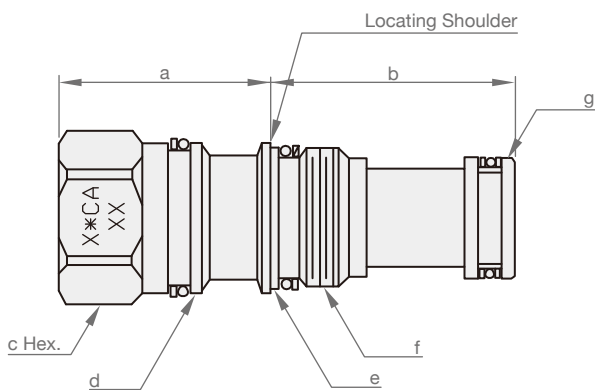


## MODEL SPEC.

Model	Cavity	Thread	Material of Seal	Weight (kg)
X1CA3-T163A-XX	T163A	M16 P1.5	buna-N	0.08
X2CA3-T11A-XX	T11A	M20 P1.5		0.12
X3CA3-T2A-XX	T2A	1"-14UNS-2B		0.22
X6CA3-T17A-XX	T17A	M36 P2		0.52
X8CA3-T19A-XX	T19A	M48 P2		1.20

## DIMENSION

( UNIT : mm )



Model	a	b	c	d	e	f	g
X1CA3	32	31	19.1	Ø17.8	Ø16.6	M16 P1.5-6H	Ø13.9
X2CA3	30.5	34.8	22.2	Ø21.8	Ø20.5	M16 P1.5-6H	Ø17.3
X3CA3	35	35	28.6	Ø27.3	Ø26	1"-14UNS-2B	Ø22.1
X6CA3	46.4	46	31.6	Ø39.6	Ø36.4	M36 P2.0-6H	Ø31.6
X8CA3	46.4	46	31.6	Ø39.6	Ø36.4	M36 P2.0-6H	Ø31.6