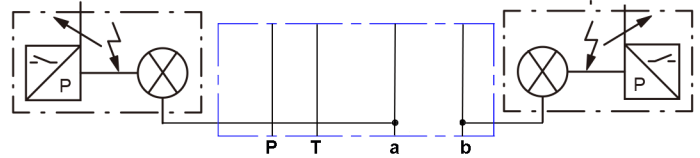


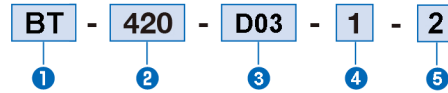
BT



SYMBOLS



ORDER CODES



1	Model Name	BT (Block Transducer)
2	Used Pressure (bar)	150, 250, 350, 420
3	Valve Size	D03, D05
4	Analogue Output	2, 4, 6 (mA) - 1, 3, 5, 7, 9 (V)
5	Port(s) Measured	1 = a, 2 = both, 3 = b, 4 = P, 5 = T

MODEL SPEC.

Model	JC-DPS-NS
Pressure Range (bar)	150, 250, 350, 420
Burst Pressure	Min. 10000 psi
Accuracy	±1% F.S. @ 25±3°C
Supply Voltage	10 to 30 VDC
Current Consumption	<20 mA (not including switch output)
Protection	Power reverse protection, over load protection
Output	NPN or PNP mode, with 100 mA, 30 VDC (max.)
Analog Current Output (option "I")	4~20mA, 0~20mA, 0~24mA option selected by panel operation
Analog Voltage Output (option "V")	0~5V, 0.5~4.5V, 1~5V, 0~10V, 1~10V, option selected by panel operation
Power Connector	M12 (6 pin)
Working Temperature	-10~60°C (14~140°F), non-frozen state
Storage Temperature	-40~85°C (40~185°F), non-frozen state
Chemical Compatibilities	gas / liquid compatible with 304L & 316L
Material	Front & rear cover: ABS, port: SUS304L/SUS316L
Waterproof	IP65
Weight (kg)	0.15

Analog Output Format Option

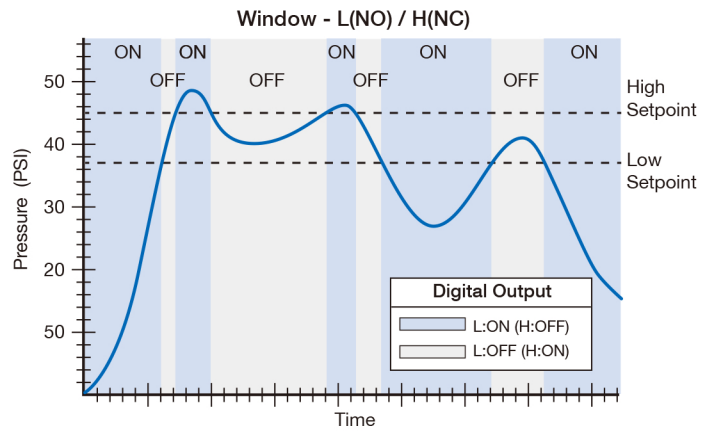
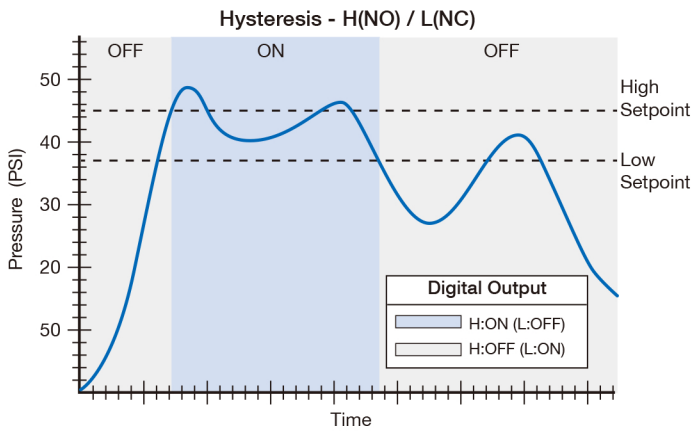
mA		Analog Current Output
2	4~20mA	Zero pressure: 4mA, Full pressure: 20mA
4	0~20mA	Zero pressure: 0mA, Full pressure: 20mA
6	0~24mA	Zero pressure: 0mA, Full pressure: 24mA

V		Analog Voltage Output
1	0~5V	Zero pressure: 0V, Full pressure: 5V
3	0.5V~4.5V	Zero pressure: 0.5V, Full pressure: 4.5V
5	1~5V	Zero pressure: 1V, Full pressure: 5V
7	0~10V	Zero pressure: 0V, Full pressure: 10V
9	1~10V	Zero pressure: 1V, Full pressure: 10V



SWITCH CONTROL TYPE PARAMETER

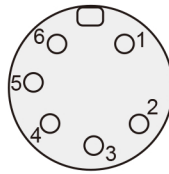
The real output is depends on the output type and control type. For example, if the high threshold setting is 45.00 psi and low threshold setting is 37.00 psi, the switch output will be shown as below figure. The switch output is turned on when it is active.



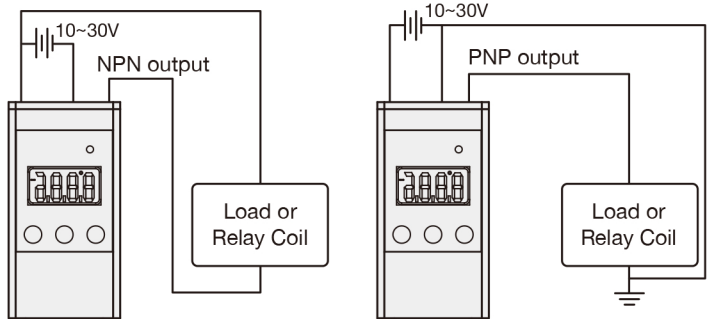
WIRING INSTRUCTION

Pin Assignment

1	V+, Power positive	brown
2	E case, earth	green
3	V-, Power negative	blue
4	Switch output	white
5	Voltage output	black
6	Current output	yellow



The application circuit for NPN or PNP output.



DIMENSION

(UNIT : mm)

